



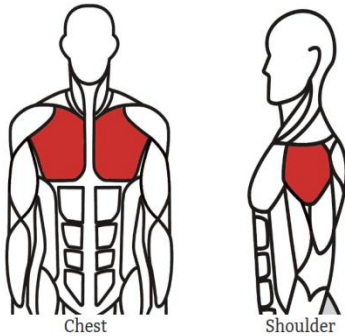
# Product Data Sheet

## PL2100

### Chest / Shoulder Machine

Dual Purpose Machines. Perfect for the gym which is tight on space but wishes to take advantage of our Budget smashing range of discount commercial gym machines.

Chest, Shoulders and to a certain extent arms are taken care of with this combination machine.



## SPECIFICATIONS

### Features:

Frame: 11 gauge steel, 2" x 4" square tubing  
Electro-statically applied powder coat  
Industrial rated bearings, sealed bearings at all pivot points  
Springs (where applicable) make seat & weight arm adjustments quick and easy

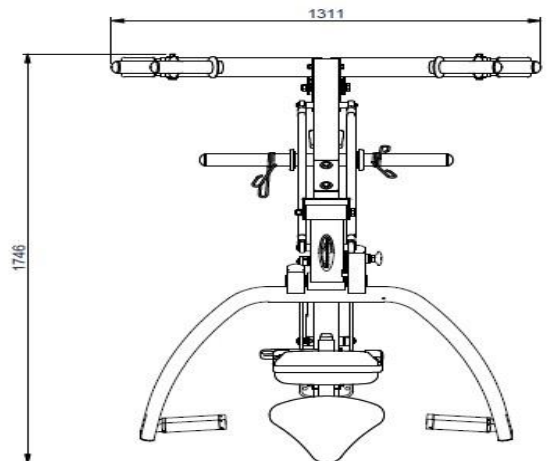
### Specs:

Floor Space: 69" x 51.5" x 63" (176 x 131 x 161cm)  
Product Weight: 235lbs (107kg)  
Max User Weight: 264lbs (170kg)

### Warranty: Commercial and Residential

- 15 yr frame
- 2 yr bearings
- 1 yr all other parts

Weight Plates not included



L1311 x W1746 x H1605 mm

International Sales Office+  
Tel: 886-2-2720-9980 Fax: 886-2-2722-9750  
E-mail: joong@ms13.hinet.net+

